

GAS STOVES



www.regency-fire.com



GAS STOVES



Ultimate U39 gas stove with wrap around nickel door and nickel louvers.

## GAS STOVES | Ultimate U38 (B-Vent) • Ultimate U39 (Direct Vent) • Classic C34

### ULTIMATE GAS STOVES - U38, U39

The clean lines of these Ultimate Gas stoves wrap around an extraordinary fire. Your Ultimate fire can be turned up as high as 40,000 BTU to provide high efficiency heat or turned down to 20,000 BTU to maintain ambience with less heat. Replace your old woodstove, install into your existing masonry fireplace, or warm up your kitchen, bedroom or den as you lower heating bills.

### CLASSIC GAS STOVE - C34

The Regency Classic Gas Stove mirrors the authentic styling of a woodstove with all the convenience of gas. No chimney? No problem. With the direct vent option, you can vent up and out of your home saving installation dollars. Certified as heating appliances, all Regency gas stoves provide consistent, controllable heat, even during power outages.

SPECIFICATIONS (NG)	U38 B-VENT	U39 DIRECT VENT	C34
Maximum BTU	40,000	38,000	32,000
Turn down to (BTU)	21,000	20,000	16,000
Efficiency (steady state)	67.17%	76.76%	70.42%
EnerGuide rating (Canada only)	58.37%	71.76%	62.39%

SPECIFICATIONS (PROPANE)	U38 B-VENT	U39 DIRECT VENT	C34
Maximum BTU	38,000	38,000	32,000
Turn down to (BTU)	20,000	20,000	16,000
Efficiency (steady state)	67.89%	76.76%	70.42%
EnerGuide rating (Canada only)	60.03%	71.76%	62.39%



*Classic C34 shown with black legs, black door and safety screen.*



*U39 with wrap around black door and black louvers.*



*U39 with wrap around black door and nickel louvers.*



*C34 with black door and brushed nickel legs.*

## STANDARD FEATURES

- Natural gas (U38, U39)
- Natural gas or propane (C34)
- Beautiful fire with glowing logs
- Safety screen
- Flame height adjustment with up to 50% turn down
- Proflame Remote Control
- B-vent (U38)
- Direct Vent (C34, U39)
- Black steel pedestal (U38, U39)
- Pedestal side panels (U38, U39)
- Variable speed blower (U38, U39)
- Convector airmate (C34)
- Heavy-duty ceramic safety glass (C34)
- 1-piece wrap around door in brushed nickel or black (U38, U39)

## OPTIONS

- Wall thermostat
- BTU reduction kit (U38, U39)
- Propane conversion kit (U38, U39)
- Brushed nickel or black louvers (U38, U39)
- Variable speed blower (C34)
- Black steel pedestal base (C34)
- Cast iron door in black\*\* or nickel accent (C34)
- Cast iron legs in brushed nickel or black (C34)
- Bottom heat shield (when using legs) (C34)
- AstroCap™ Venting System (C34, U39)
- Vertical or horizontal direct vent terminations (C34, U39)

*\*\* Black doors come with nickel handles & nickel hinge caps*

## DIRECT VENT TECHNOLOGY



Direct vent technology means that you can install a Regency stove almost anywhere in your home - no chimney is needed. From the top of the unit, simply vent your stove through an exterior wall. Direct vent means that you have sealed combustion - outside air is brought in through the vent for combustion and the used air is sent back out to maintain indoor air quality.

## COMFORT CONTROLS

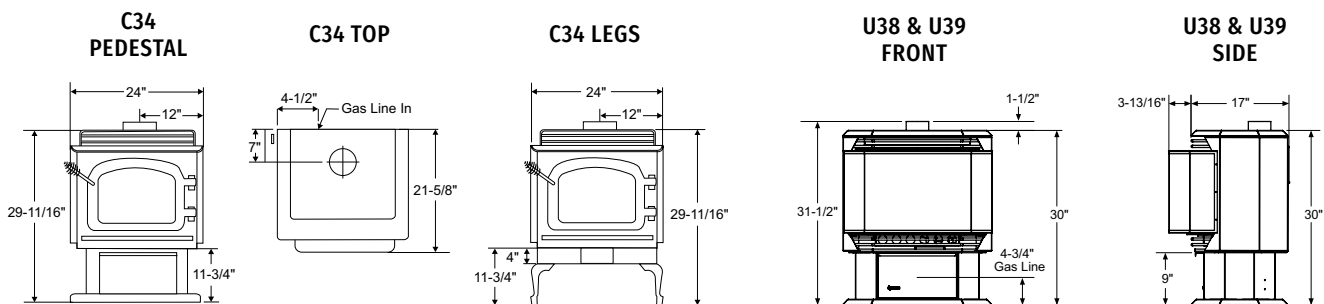


Turn your fire on and off with a Proflame remote control. The Proflame can be used as a thermostat, allowing you to set and automatically maintain a desired temperature.

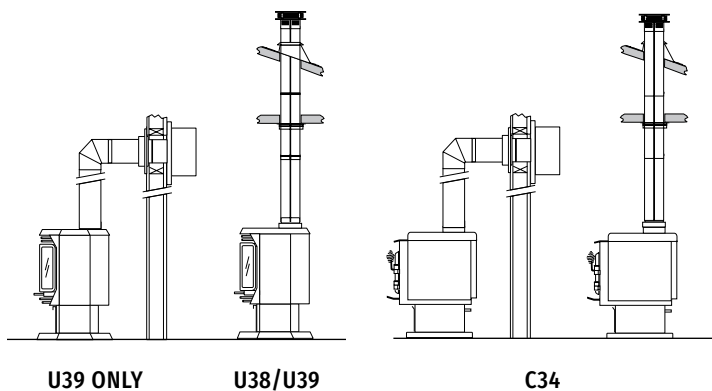


A Regency wall thermostat is a hands free solution that helps you maintain a constant temperature in your home. Choose the programmable wall thermostat and set different temperatures throughout the day to match your lifestyle. Wake up to warmth!

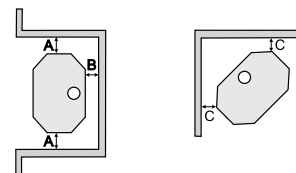
## SPECIFICATIONS



## VENTING OPTIONS

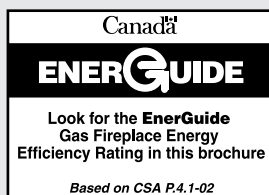


## CLEARANCES TO COMBUSTIBLES



	A - SIDE WALL TO UNIT	B - BACK WALL TO UNIT	C (CORNER) - SIDE WALL TO UNIT
U38 B-vent	7-1/2"	6"	2"
U39 DV Top	7-1/2"	6"	2"
C34 DV	10"	6"	1-1/2"

*B\* - Rear wall clearance is a temperature issue and necessary for drafting purposes. Do not reduce clearance under any circumstances.*



[www.regency-fire.com](http://www.regency-fire.com)

©2018 FPI Fireplace Products International Ltd. Regency® and AstroCap® are the registered and/or proprietary trademarks of FPI Fireplace Products International Ltd. Printed in Canada (07/18)  
Part no. 944-220

your Regency dealer